

Platform scale BA4



Description

This platform scale BA4 is designed for floor weighing. Its technical characteristics meet the requirements of all kinds of industry sectors.

Characteristics

- ▶ Platform with 4 shear beam load cells in nickel plated or stainless steel on four adjustable supporting feet
- ▶ Load cell protection rating IP67 or IP68 (depending on models)
- ▶ Available in painted checker plate or smooth stainless steel versions
- ▶ To be installed on flat floor
- ▶ Can be embedded in a pit (tanking option)
- ▶ Trapdoor to junction box on upper side for painted steel version
- ▶ Delivered with 5 m cable
- ▶ Connectible with all indicators from Arpege Master K and most other brands
- ▶ EC approved for 3000 measure divisions (except "A" types, see below chart)

Version	Dimensions available (mm)	Weight/ Division
Painted stain steel	800 x 800	150 kg / 50 g ^A 300 kg / 100 g ^B 600 kg / 200 g 1 500 kg / 500 g
	1 250 x 1 250	600 kg / 200 g 1 500 kg / 500 g 3 000 kg / 1 kg
	1 500 x 1 500	1 500 kg / 500 g 3 000 kg / 1 kg
	2 000 x 1 500	1 500 kg / 500 g 3 000 kg / 1 kg

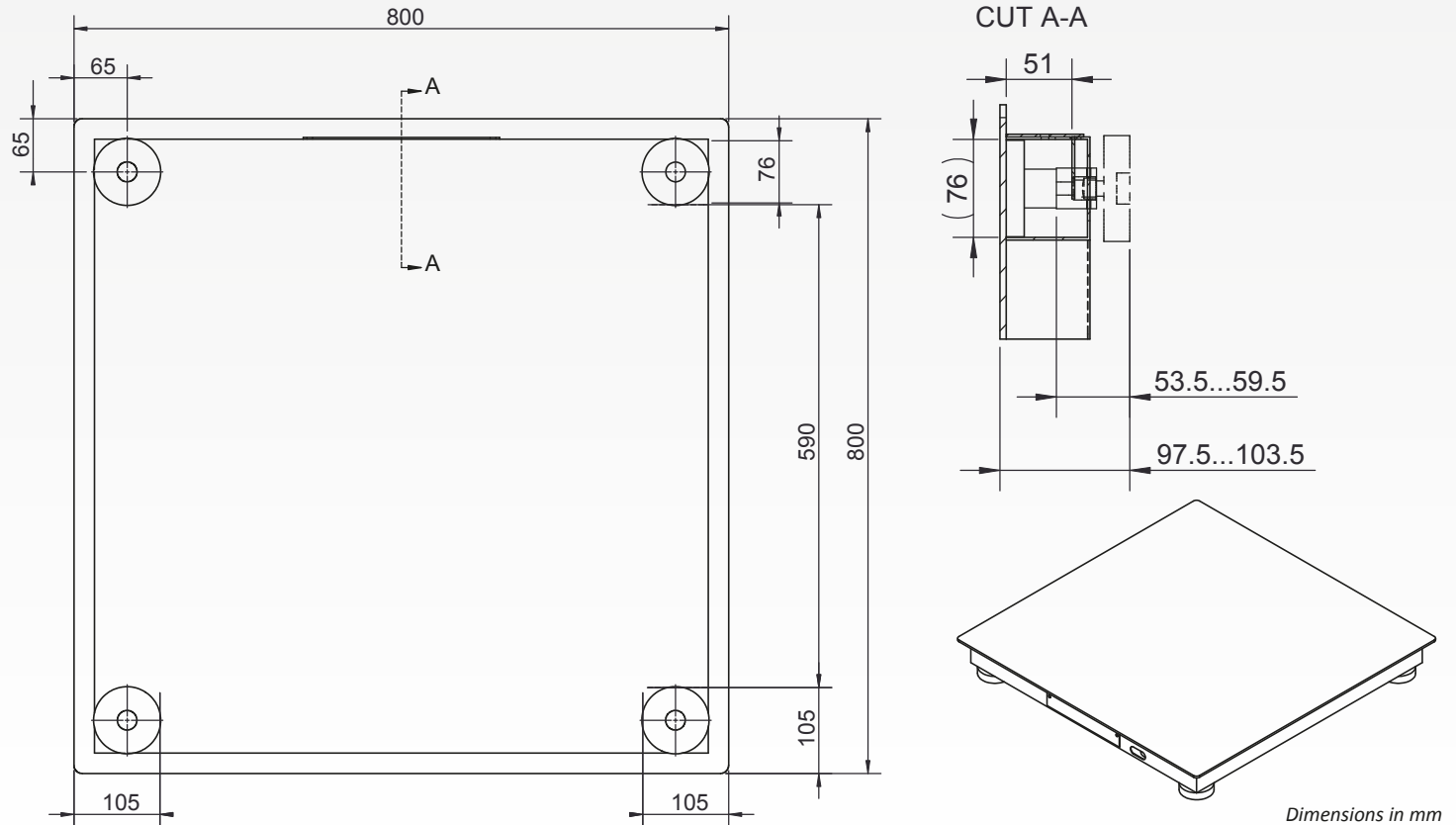
Version	Dimensions available (mm)	Weight/ Division
Stainless steel	800 x 800	150 kg / 50 g ^A 300 kg / 100 g ^B 600 kg / 200 g
	1 250 x 1 250	600 kg / 200 g 1 500 kg / 500 g 3 000 kg / 1 kg
	1 500 x 1 500	1 500 kg / 500 g 3 000 kg / 1 kg

^A Not complying with legal-for-trade applications

^B Legal-for-trade version only available with IDe range of indicators

Dimensions

Example of dimensions BA4 800 x 800 mm



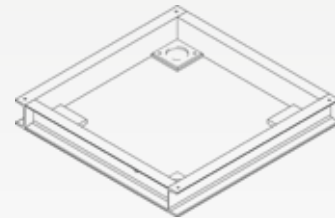
Options

Options:

- ▶ ATEX
- ▶ Stainless Steel load cell

Accessories:

- ▶ Painted steel tanking (RAL 1018 yellow) for pit
- ▶ Access ramp available in stain steel/stainless steel version



Version	Dimensions (L x W) mm
Painted steel	840 x 800
	840 x 1 250
	840 x 1 500
	1 400 x 800
	1 400 x 1 250
Stainless Steel	1 400 x 1 500
	840 x 800
	840 x 1 200
	840 x 1 500

ARPEGE MASTERK

Bâtiment n°6 - 15, rue du Dauphiné
 CS 40216 - 69808 St PRIEST - FRANCE
 Tél : +33 (0)4 72 22 92 22
 Fax : +33 (0)4 72 22 93 45
 marketing@masterk.com

Our product factsheets
 are available for download
 from our website
www.masterk.com

Company Registration: 971 506 480 RCS LYON
 SIC registration code: APE 2829A French VAT: FR 28 971 506 480

Your contact information